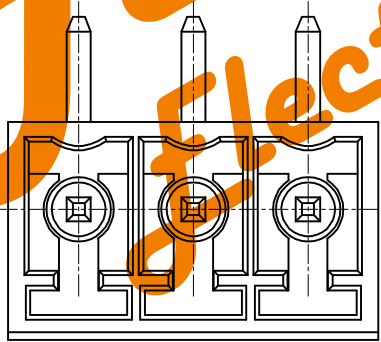
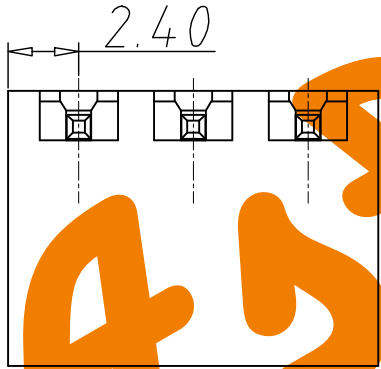
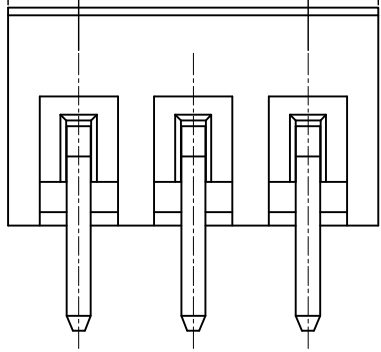


RoHS Compliant

REV.	ECN. NO.	DESCRIPTION	DATE	APPD.
X1		ORIGINAL		

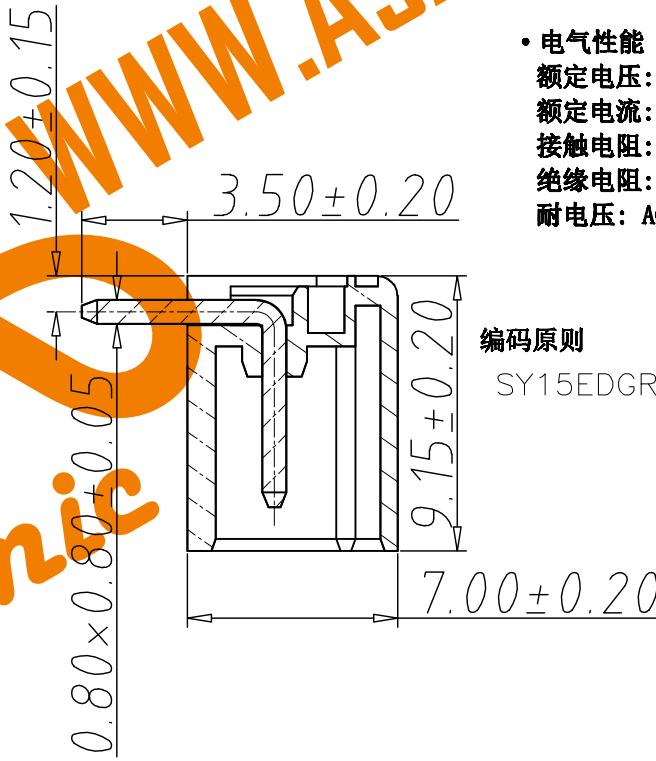
$$N \times 3.50 + 0.70 = 11.20 + 0.50$$

$$(N-1) \times 3.50 \pm 0.20$$



N: 表示产品的线数

- 材质及电镀  
焊针：黄铜, 镀锡  
塑件：PA66 UL94V-0
- 机械性能  
温度范围：-40° C+130° C  
瞬时温度：+250° C 5秒
- 电气性能  
额定电压：300V  
额定电流：8A  
接触电阻：20mΩ  
绝缘电阻：5000Ω\1000V  
耐电压：AC2000V\1Min

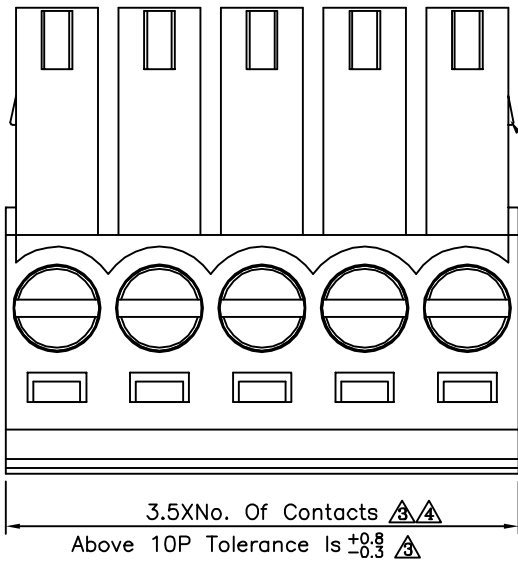


编码原则  
SY15EDGRC-3.5

AsA Electronic Co.  
Tel : (+98) 21 66 73 56 82 Mob : (+98) 912 03 161 02

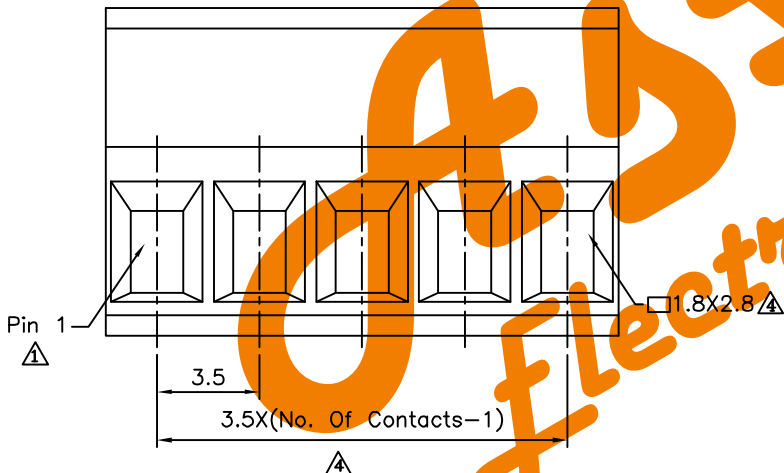
EXTEND USE:	UNIT: mm	TITLE: Terminal Block	DWG. NO.:
GENERAL TOLERANCE:	MATERIAL:	APPD.: Allen Yang	PART NO.:
LINEAR: .0 0.20 .0 2	ANGLES: .0 2	CHKD.: Ann Xu	15EDGRC-3.5-XP
.00 0.10 .00 1	FINISHED:	DR. BY.: Jessa Lei 2012.6.28	SHEET: 1/1
.000 0.05			SCALE: 1:1
			A4

File No. 689EJ24806 SHEET 1/1



2P To 6P With Wedge, Above  
7P Without Wedge (Including 7P)

- △ SPECIFICATION
- Voltage Rating: 300V AC
  - Current Rating: 8 Amps/Way Max.
  - Contact Resistance: 20 Milliohms Max.
  - Withstanding Voltage: 2500V AC (1 Minute) Test Time=60 Sec/1 PCS
  - Wire Range: 16~24 AWG
  - Torque: 2.5 Kgf.cm/M2
  - Operation Temperature: -40°C~+105°C
  - Soldering Reliability: Test Temperature=250°C±10°C/5 Seconds Max.
  - △ Contact (Metal Housing): Copper Alloy, Nickel Plated
  - Terminal Screw: Steel, Galvanized With Cr3+ Plated
  - Wire Guard: Copper Alloy, Tin Plated
  - △ Insulator Body (Housing): Polyamide (UL94V-0), Green RoHS Compliant



AsA Electronic Co.  
Tel : (+98) 21 66 73 56 82 Mob : (+98) 912 03 161 02

DRAWING No.	APPROVED BY	UNLESS OTHERWISE SPECIFIED TOLERANCES ARE	△ A4	Modify Data	HZF	10/24/2014
19840	EMILY	X. ±0.50	△ A3	Modify Data	HZF	08/28/2012
SCALE NONE	CHECKED BY HZF	.X ±0.30	△ A2	Modify Data	HZF	05/17/2012
REV.	DRAWING BY CYP	.XX ±0.20	△ A1	Modify Data	HZF	11/22/2011
A4		ANG. ±1°	△ A0	NEW RELEASE	HZF	04/09/2009
		UNIT mm	NO. REV.	REVISIONS	CHK	DATE